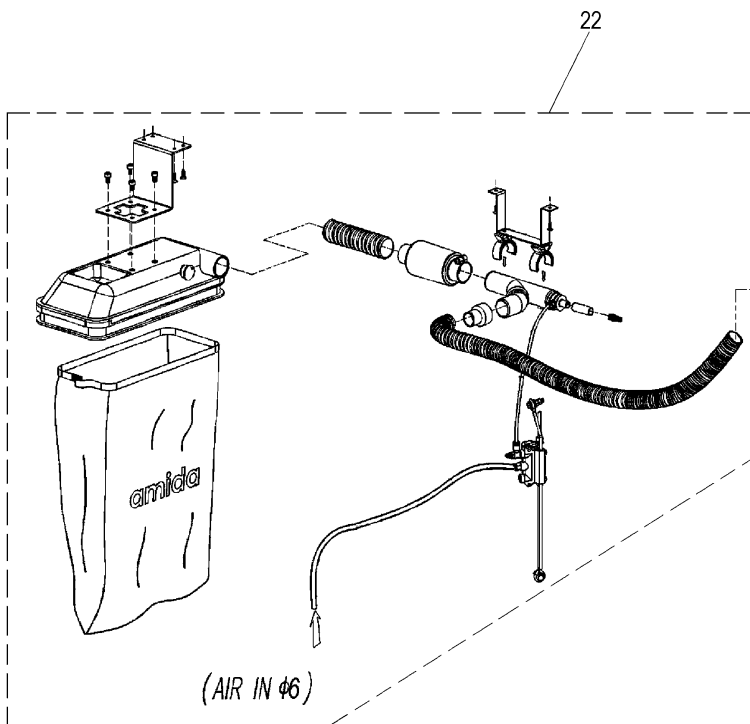
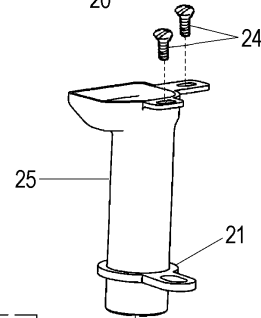
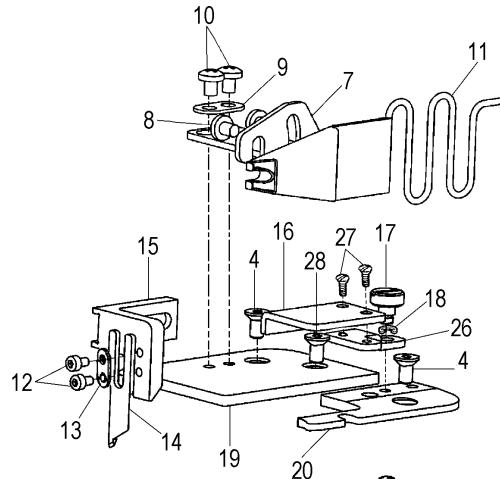
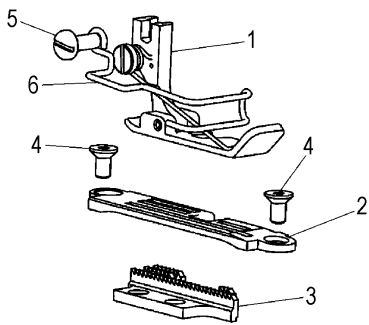
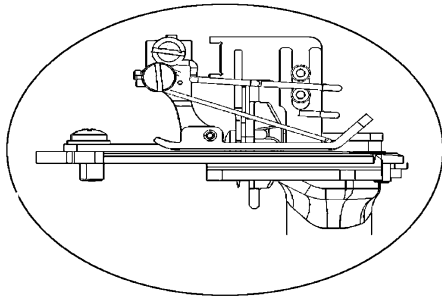


6717MD- B DIRECT DRIVE OVERLOCK SEWING MACHINE WITH EDGE CUTTER

PARTIAL VIEW



6717MD- B DIRECT DRIVE OVERLOCK SEWING MACHINE WITH EDGE CUTTER

No.	Ref.No.	Description	Qt	Remark
1	258G50000	Presser foot assy (With 4.8mm needle plate)	1	
	258G40000	Presser foot assy (With 6mm needle plate)	1	
2	258G00005	Needle plate (4.8mm)	1	
	258G00013	Needle plate (6mm)	1	
3	258G00002	Feed dog	1	
4	022100020	Screw	4	
5	022700015	Screw	1	
6	258G00020	Finger guard	1	
7	258G00003	Binder support	1	
8	S150201009	Screw M4× 4 GB65- 76	2	
9	258G00011	Gasket	1	
10	B048600494	Screw M4× 6 GB70.1- 2000	2	
11	258G00007	Folder components (24mm)	1	
	258G00014	Folder components (28mm)	1	
12	036710006	Screw	2	
13	029800025	Lower knife board	1	
14	258G00016	Up knife	1	
15	258G00001	Knife holder	1	
16	258G00023	Guide plate	1	
17	258G00024	Screw M4	1	
18	S150603002	Spring washer 5 (GB860- 87)	1	
19	258G00021	Throat plate (later)	1	
20	258G00018	Throat plate (front)	1	
21	258G00009	Fitting plate	1	
22	S151099249	Double way pneumatic Integrated assy	1	
23	258G30000	Oil reservoir asm	1	
24	197720016	Screw 1/8(3.18)× 44	2	
25	258G00010	Waste bucket	1	
26	258G00022	Linked plank	1	
27	S150202004	Screw GB66- 76 M3× 4	2	
28	029800100	Screw	1	

※ Other parts of employ the same parts with 6717MD